



LED Hänge- oder Deckenleuchte aus Aluminium  
 Oberfläche schwarz oder weiß pulverbeschichtet  
 Direktabdeckung mit hochtransparenter Mikroprismenoptik  
 Abstrahlung mit Direkt- und Indirektanteil

LED ceiling or pendant aluminium luminaire  
 Powder coated black or white surface  
 Down light with highly clear microprismatic diffuser  
 Up and downlight emission

Sospensione, plafoniera a LED in alluminio  
 Verniciata a polveri in bianco o nero  
 Diffusore microprismatico ad alta trasparenza  
 Emissione diretta ed indiretta

Suspension ou plafonnier à LED en aluminium  
 Surface vernissée à poudres en blanc ou noir  
 Diffuseur à haute transparence en microprismes  
 Émission directe et indirecte

Dimmbare Versionen / dimmable versions

569-XXXXXadng1 = analog dimm. 1 - 10 V  
 569-XXXXXdddng1 = DALI dimm.

W3 = SYS 39W: 3000K / 3700lm

W3 = SYS 65W: 3000K / 6470lm

(Mikoprismenabdeckung / microprismatic cover)



IP20

**CHUNNEL PDI**

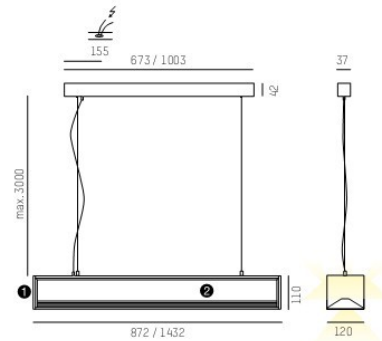
220 - 240V AC/DC · CRI >80 · Binning SDCM 3

SYS 39W

569-104095ng1	1	2	W	W	W3	L: 872 mm
569-104096ng1	S	S	S	W	W3	L: 872 mm
569-114096ng1	S	W	S	W	W3	L: 872 mm

SYS 65W

569-107095ng1	1	2	W	W	W3	L: 1432 mm
569-107096ng1	S	S	S	W	W3	L: 1432 mm
569-117096ng1	S	W	S	W	W3	L: 1432 mm



**CHUNNEL SDI**

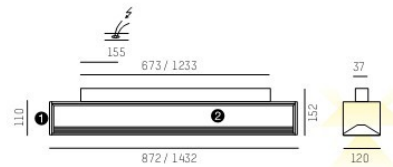
220 - 240V AC/DC · CRI >80 · Binning SDCM 3

SYS 39W

569-154095ng1	1	2	W	W	W3	L: 872 mm
569-154096ng1	S	S	S	W	W3	L: 872 mm
569-164096ng1	S	W	S	W	W3	L: 872 mm

SYS 65W

569-157095ng1	1	2	W	W	W3	L: 1432 mm
569-157096ng1	S	S	S	W	W3	L: 1432 mm
569-167096ng1	S	W	S	W	W3	L: 1432 mm





ZURÜCK ZUR ÜBERSICHT / BACK TO OVERVIEW

Project: Dorfbahn Gertlos | Austria