



Runde dekorative Hängeleuchte in 3 Größen
Abdeckung als Opal-Diffusor aus Polyethylen
Trägerplatte aus Aluminium in weiß pulverbeschichtet
Schaltbar, optional dimmbar mit DALI
Inkl. 3000mm werkzeuglos höhenverstellbarer Abhängung

Round decorative suspension in 3 sizes available
Polyethylene opal diffuser
Structure aluminium white powder coated
Optional Dali dimm
Included 3m suspension cable, adjustable without tools

Sospensione decorativa tonda, in 3 dimensioni
Diffusore opale in polietilene
Base in alluminio verniciata a polveri in bianco
Dimmerazione DALI opzionale
Compreso di cavo da 3m, regolabile senza attrezzi

Suspension décorative ronde en 3 dimensions
Diffuseur opal en polyéthylène
Panneau en aluminium vernissé à poudres en blanc
Dimmable DALI optionnel
3000mm câble inclus, réglable sans outils

W3 = LED 3000K
W4 = LED 4000K



IP 20

WHITE BELT PD

220-240V AC/DC · CRI >90 · Binning SDCM 3

SYS 28W

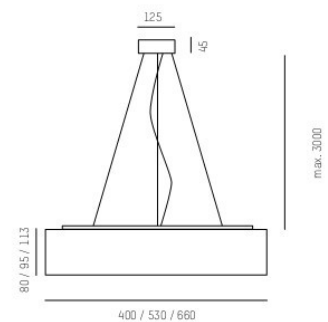
565-00201102905Y Ø: 400mm, H 80mm 1720lm
565-00201102405Y Ø: 400mm, H 80mm 2020lm

SYS 44W

565-00202102905Y Ø: 530mm, H 95mm 2580lm
565-00202102405Y Ø: 530mm, H 95mm 3030lm

SYS 73W

565-00203102905Y Ø: 660mm, H 113mm 4300lm
565-00203102405Y Ø: 660mm, H 113mm 5060lm



ARTIKELNUMMER ERGÄNZEN / COMPLETE CODE

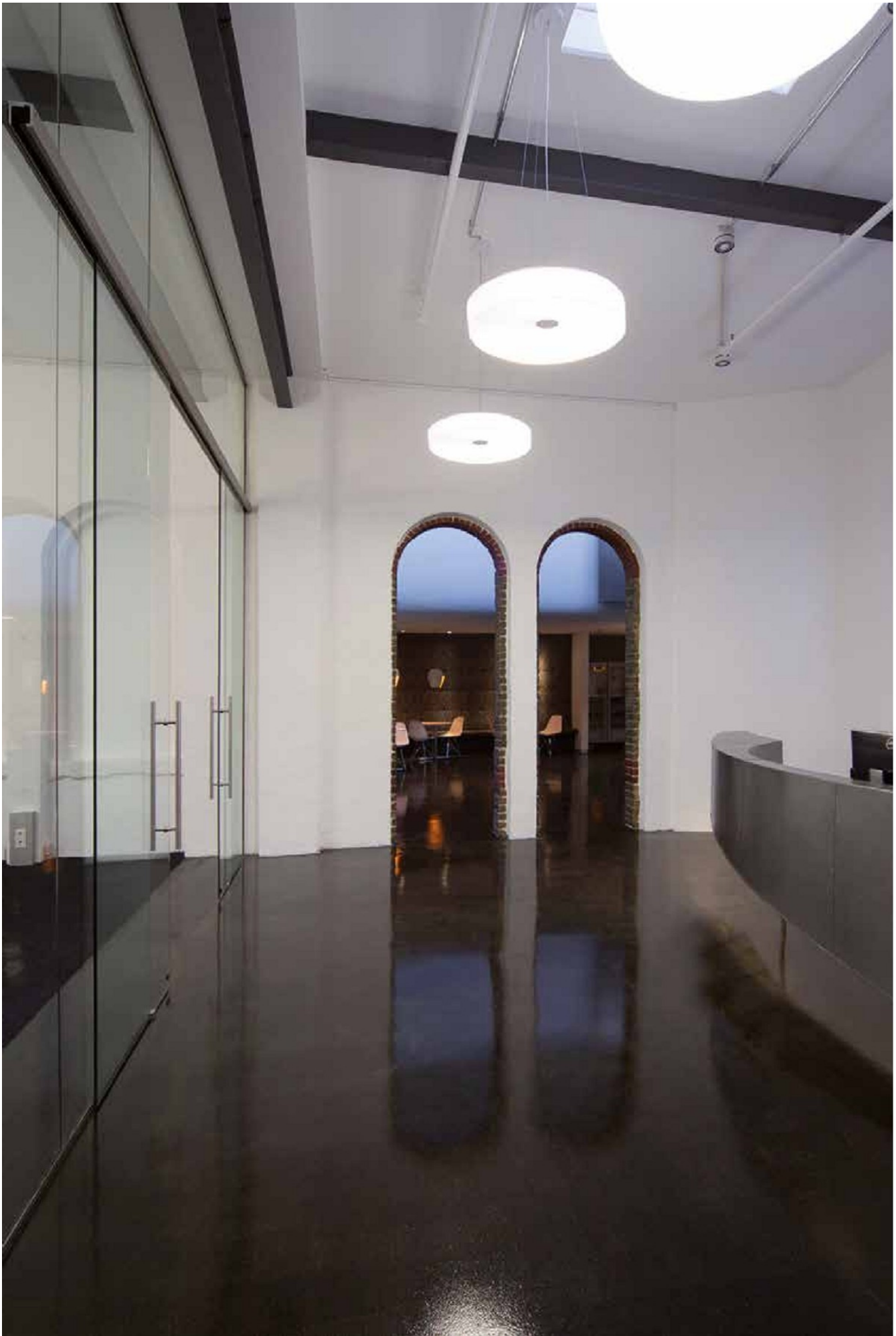
Y = DIMMBAR / DIMMABLE

switchable = 0
 DALI dimm = d

102

WHITE BELT PD

Design: Serge & Robert Cornelissen



ZURÜCK ZUR ÜBERSICHT / BACK TO OVERVIEW

Project: Ajando next level | Mannheim | Germany | Architect: Peter Stasek + Loftwerk Karlsruhe | Photo: Claus Morgenstern Photodesign